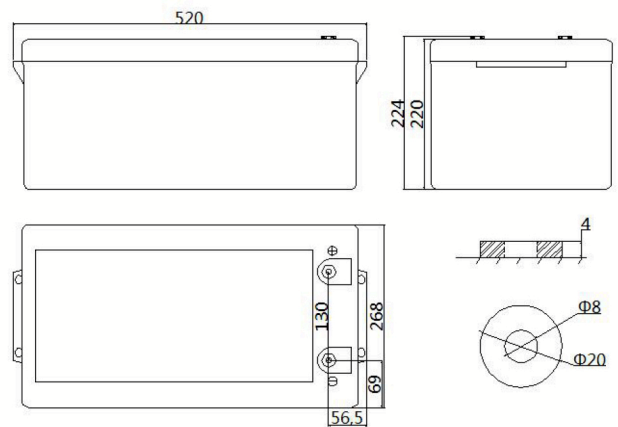


12V250Ah

阀控式密封铅酸蓄电池

valve-regulated lead acid battery

额定电压 Normal voltage		12V
额定容量度 Normal capacity (10 hr)		250Ah
容量 Capacity 25°C(77°F)	10hr (25A)	≥250Ah
	3hr (62.5A)	≥187.5Ah
	1hr (137.5A)	≥137.5Ah
内阻 Inner resistance	Full charge 25°C(77°F)	≤5mΩ (仅供参考)
循环使用寿命 Cycling Service life	(GB/T 19638.1-2014) deep discharge	≥800 cycles
浮充使用寿命 Floating charge life	25°C(77°F)Voltage of Floating charge: 13.8V	≥3 years
温度的影响 Temperature works on capacity (10 hr)	40°C (104°F)	≥105%
	25°C (77°F °F)	≥100%
	0°C (32°F)	≥85%
	-15°C (5°F)	≥70%
荷电保持 Self-discharge 25°C(77°F)	Residual Capacitance (90 days)	≥80%
气体析出量 Amount of gas evolution 25°C(77°F)	testing standard GB/T 19638.1-2014 U _{no}	≤0.04ml/(Ah · h)
大电流耐受能力 maximum discharge current 25°C(77°F)	放电时间 discharge time 5sec	≥750A
充电方法 Charge method 25°C(77°F)	循环使用 Cycling	初始电流≤62.5A,恒压 14.4-14.8V Beginning current ≤62.5A, Isobarically 14.4-14.8V
	浮充使用 Floating charge	恒压 13.5-13.8 Isobarically 13.5-13.8V



包装尺寸 Package dimension

电池尺寸 dimension (L*W*H*TH)	mm ± 1	520*268*220*224
	inch	20.5*10.55*8.66*88.18
外包装尺寸 Box dimension (L*W*H)	mm	530*275*285
	inch	20.87*10.83*11.22
每箱电池数 PCS/Cartron		1
单个净重 Net weight		66.3kg ± 3%

材料 Product material

成份 Component	正极板 Anode plate	负极板 Cathode plate	外壳 crust	安全阀 valve
材料 Material	铅化合物 Lead dioxide	铅 lead	ABS	橡胶 rubber
成份 Component	端子 terminal	隔板 separator	电解液 electrolyte	---
材料 Material	铜合金 Cu-alloy	玻璃纤维 AGM	硫酸 Sulfuric acid	---

以上各项参数仅供参考，如有更改不另行通知。

Constant Current Discharge Characteristics : A(25°C)

Voltage / Time	15min	30min	1HR	2HR	3HR	4HR	5HR	8HR	10HR	20HR
9.60V	413.6	233.9	149.8	92.49	62.85	50.68	42.07	27.71	24.97	13.22
10.0V	405.1	230.9	147.8	90.62	61.69	49.96	41.70	27.60	24.73	12.97
10.2V	398.8	227.4	146.4	89.67	61.14	49.46	41.42	27.35	24.48	12.73
10.5V	379.7	221.1	144.6	88.49	60.60	48.73	41.08	27.11	24.24	12.48
10.8V	350.0	213.8	142.6	87.77	59.89	47.06	40.08	27.00	24.02	12.35
11.1V	133.5	205.7	139.2	84.24	58.72	46.38	40.58	26.78	23.74	11.85

Constant Power Discharge Characteristics : W(25°C)

Voltage / Time	15min	30min	1HR	2HR	3HR	4HR	5HR	8HR	10HR	20HR
9.60V	4550	2677	1736	1084	740.0	606.6	504.0	331.8	299.5	159.3
9.60V	4477	2650	1720	1071	729.0	598.1	499.5	330.5	297.1	156.5
10.2V	4426	2627	1710	1063	725.8	592.5	496.5	328.1	294.5	153.6
10.5V	4222	2573	1699	1050	719.9	584.5	492.5	325.3	291.6	150.7
10.8V	3902	2512	1677	1042	711.8	564.8	490.2	323.9	288.7	149.2
11.1V	3513	2443	1652	1003	699.9	556.7	488.4	321.6	285.6	143.9